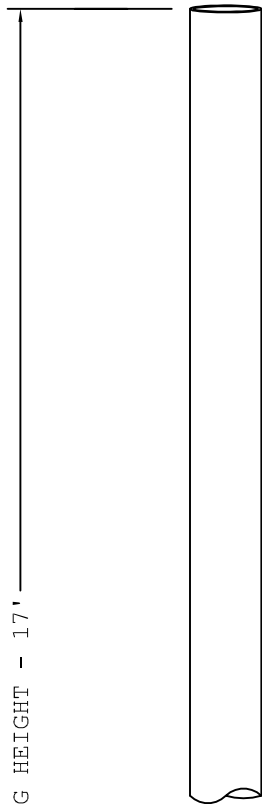


POST CAP 

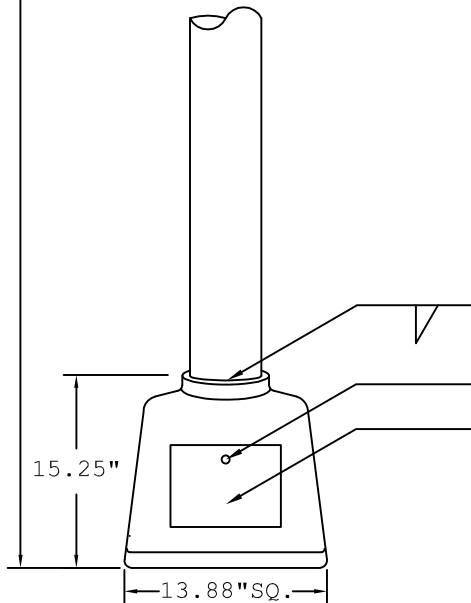
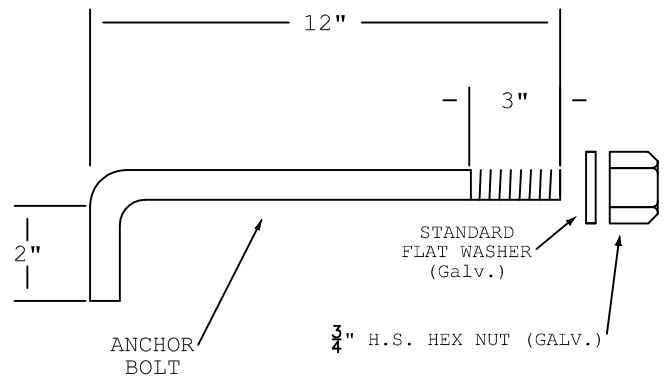


MOUNTING HEIGHT - 17'

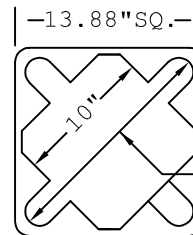
NOTE:

Base supplied with
PVC Door,
Door secured to base with 2
Tabs on bottom and a single
tab and cap screw on top
Door to be flush with surface
of base when installed

ANCHOR BOLT PLAN



Socket Buttonhead
Cap Screw (stainless steel)
8.656" X 8.656" DOOR



BOLT CIRCLE: 12" MINIMUM
14 3/4" MAXIMUM

NOTES

Aluminum Pole
6063-T6 Alloy
4.5" O.D. x 0.237" Wall
Schedule 40-3.73 #/ft.
Spun Finish

Painted Brown

Pole slip fit into base
and welded

CITY OF PHILADELPHIA

DEPARTMENT OF STREETS

PEDESTAL POLE

DATE	03/09/10	SHEET 1 OF 1	
REVISED	10/30/14		
APPROVED:			

TE0301