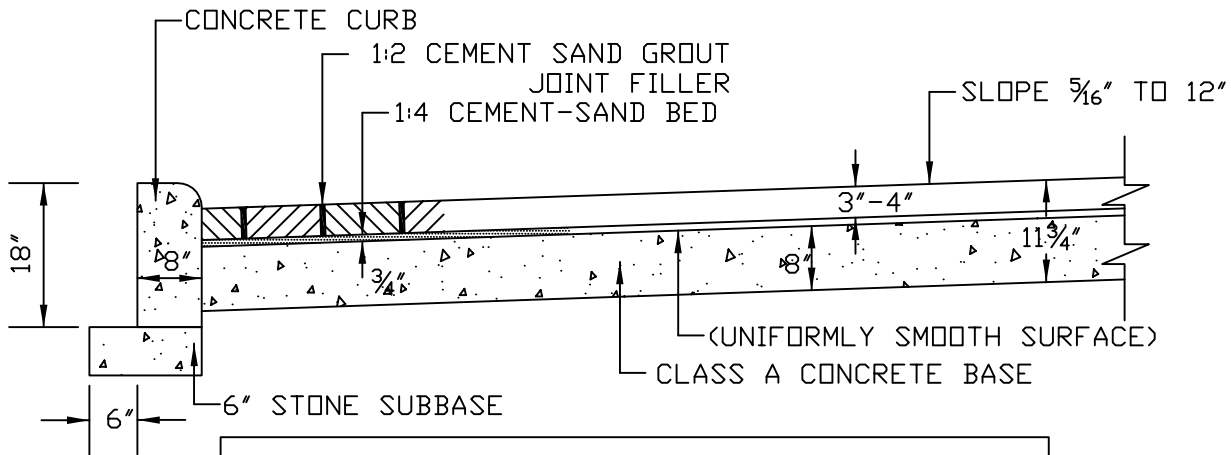


VITRIFIED BRICK PAVEMENT

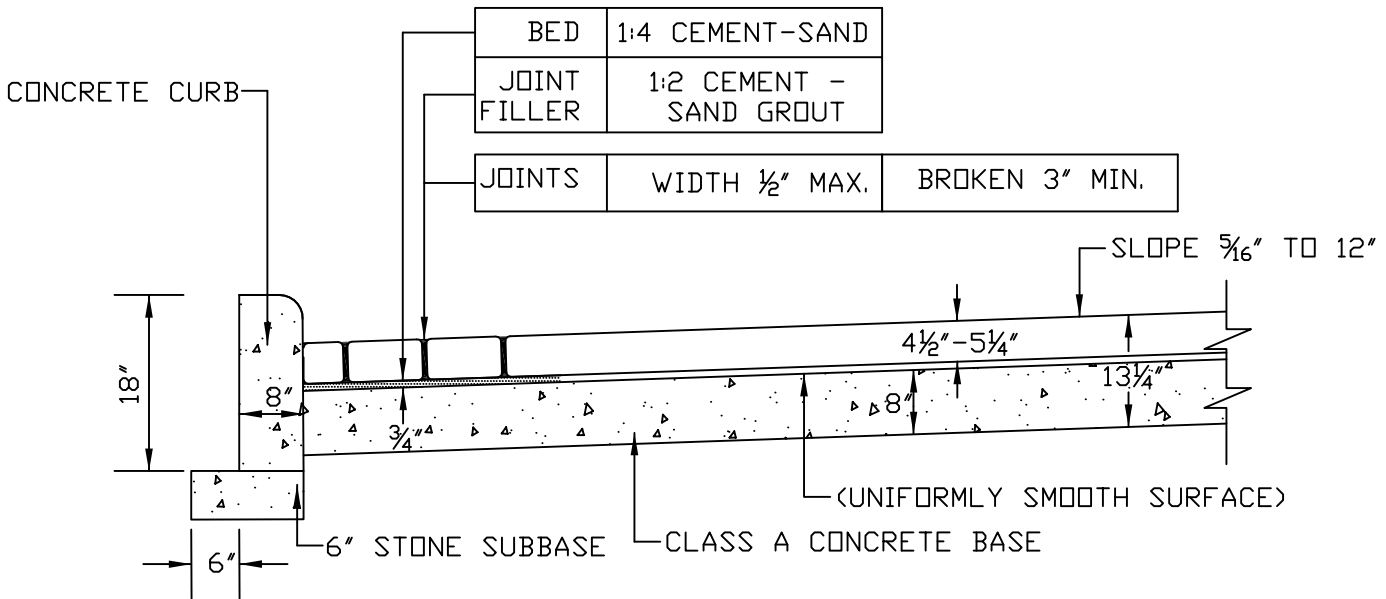


VITRIFIED BRICK SIZE		
LENGTH	WIDTH	DEPTH
8 $\frac{1}{2}$ "-9 $\frac{1}{2}$ ", $\pm \frac{1}{4}$ "	3 $\frac{1}{2}$ " - 4", $\pm \frac{1}{8}$ "	3" - 4", $\pm \frac{1}{8}$ "
JOINTS	LUGS $\frac{1}{16}$ " - $\frac{1}{4}$ "	BROKEN 3" MIN.

SUPERSEDING ST'D. L-778

BLOCKS SET ON END

GRANITE BLOCK PAVEMENT



GRANITE BLOCK SIZE			
CHARACTER	LENGTH	WIDTH	DEPTH
SMOOTH DRESSED	6"-12", AVE. 10"	3 $\frac{1}{2}$ "-4 $\frac{1}{2}$ "	4 $\frac{1}{2}$ "-5 $\frac{1}{4}$ " ($\pm \frac{1}{2}$ ")
REDRESSED	5"-6 $\frac{1}{2}$ "	3 $\frac{1}{2}$ "-5"	4 $\frac{1}{2}$ "-5 $\frac{1}{4}$ " ($\pm \frac{1}{2}$ ")

SUPERSEDING ST'D. L-777

CITY OF PHILADELPHIA
DEPARTMENT OF STREETS

STANDARD PAVING DESIGN
CROSS - SECTIONS

DATE	07/20/16	SHEET 1 OF 1	DRAWING NO.
REVISED			SC0117
APPROVED		V.L.F.	