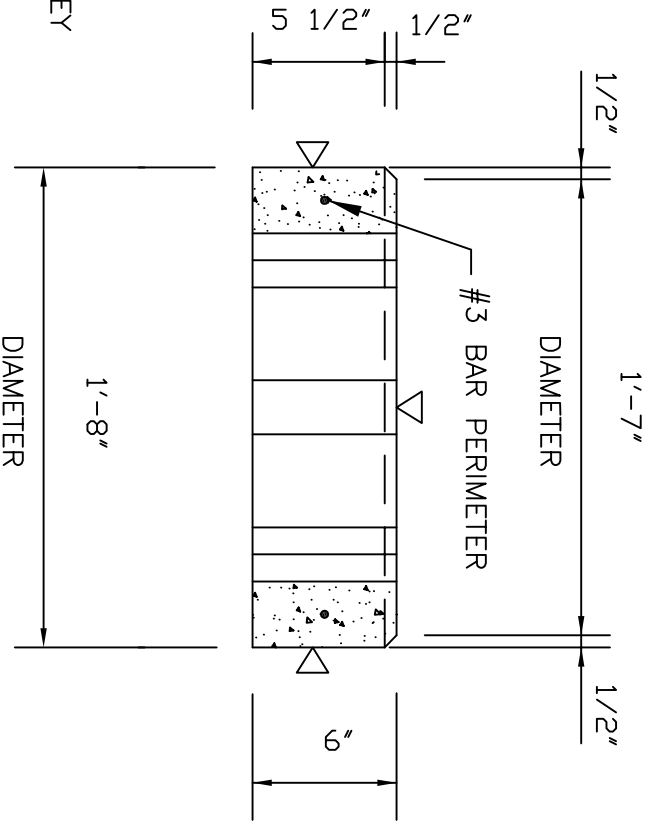


COLUMN BASE PLAN

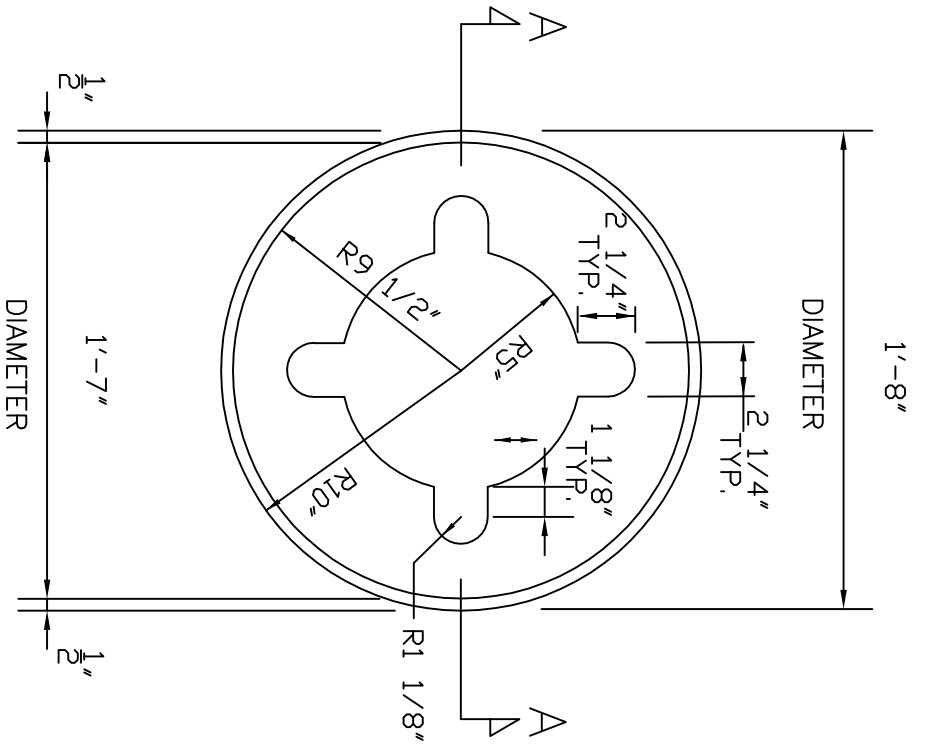
COLOR  
CHARCOAL GREY  
WWB-2



Ⓐ COLUMN BASE SECTION

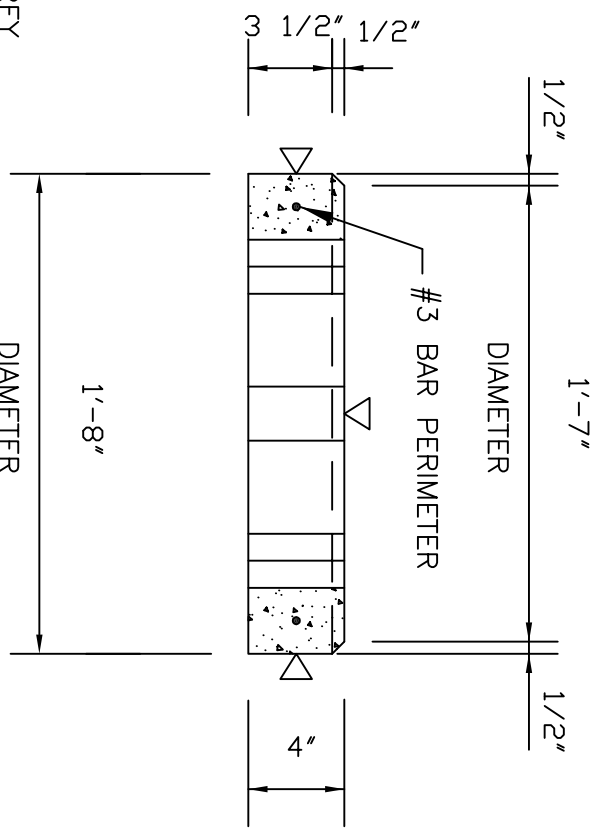
▽ DENOTES EXPOSED TO VIEW FACE FINISH

CITY OF PHILADELPHIA		SHEET 1 OF 4	
DEPARTMENT OF STREETS			
COLUMN BASE			
FOR PEDESTRIAN POLES			
DATE	11/06/12		
REVISED	3/01/15		
APPROVED: V.L.F.			
SLO103			



COLUMN BASE PLAN

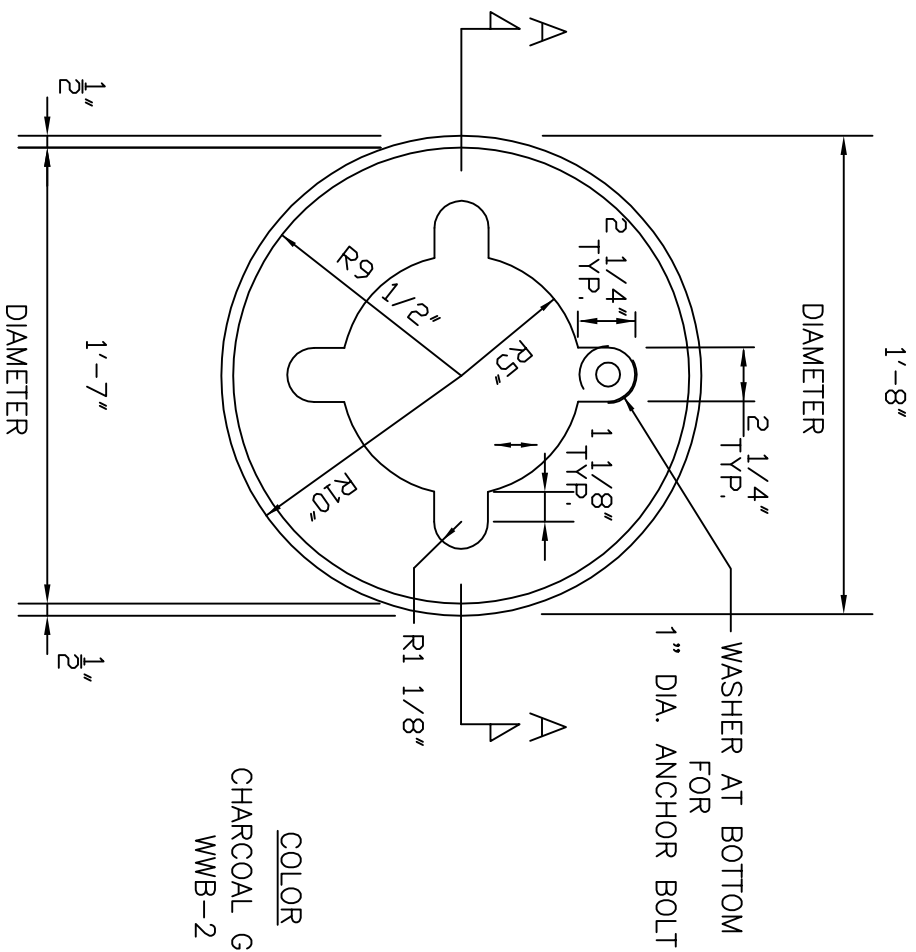
COLOR  
CHARCOAL GREY  
WWB-2



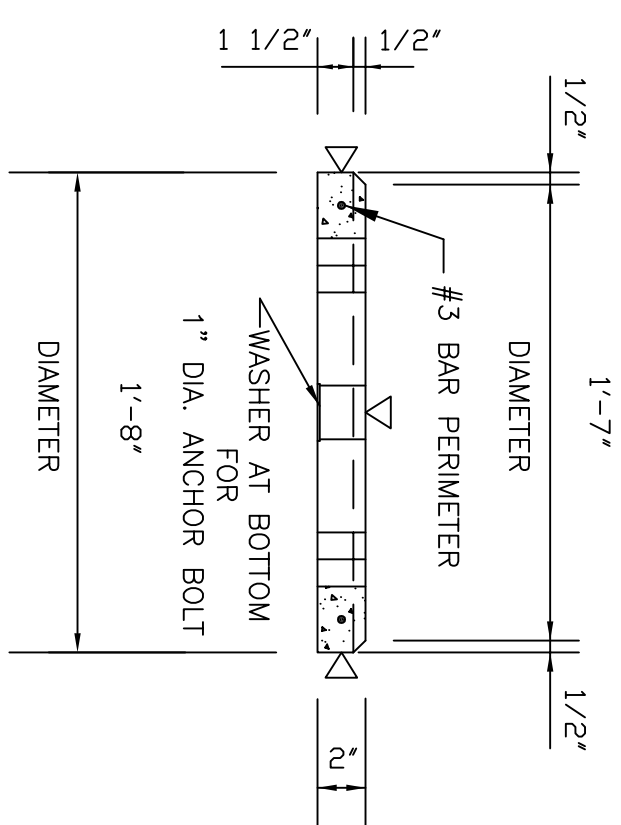
Ⓐ COLUMN BASE SECTION

▽ DENOTES EXPOSED TO VIEW FACE FINISH

CITY OF PHILADELPHIA DEPARTMENT OF STREETS COLUMN BASE FOR PEDESTRIAN POLES		DATE 11/06/12 SHEET 2 OF 4
REVISIONS 3/01/15	APPROVED: V.L.F.	SLO103



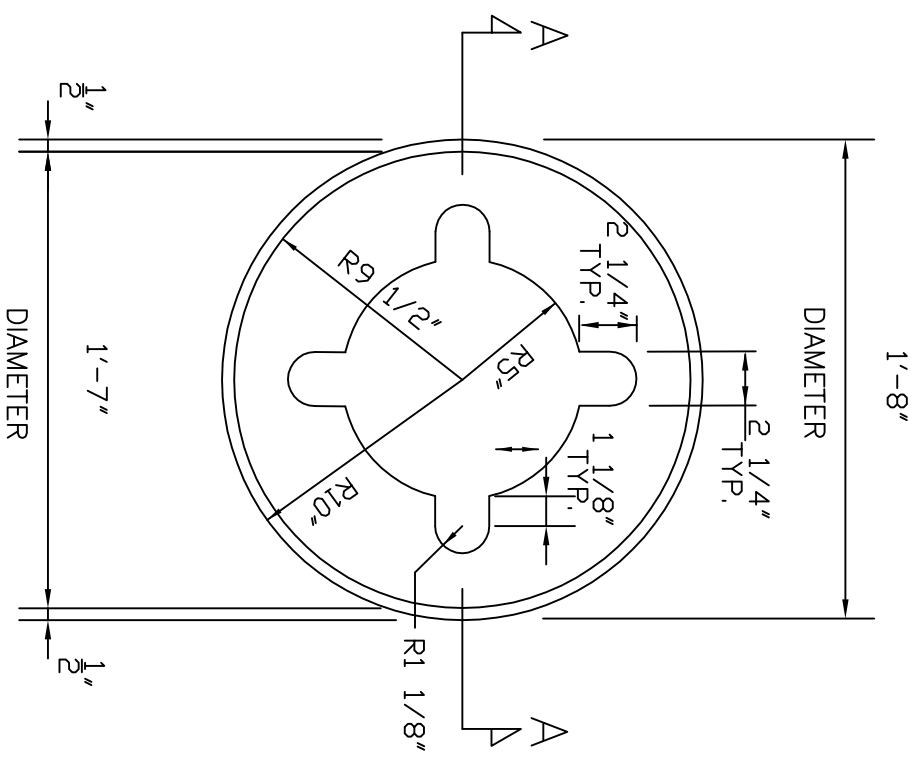
COLUMN BASE PLAN



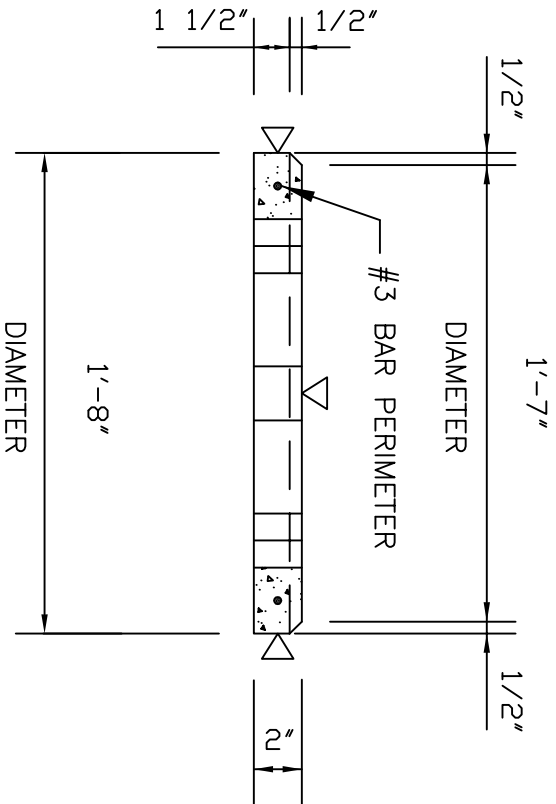
Ⓐ COLUMN BASE SECTION

▽ DENOTES EXPOSED TO VIEW FACE FINISH

<p>CITY OF PHILADELPHIA DEPARTMENT OF STREETS</p>		<p>COLUMN BASE FOR PEDESTRIAN POLES</p>	
DATE	11/06/12	SHEET	3 OF 4
REVISED	3/01/15		
<p>APPROVED: V.L.F.</p>			
<p>SLO103</p>			



COLOR  
CHARCOAL GREY  
WMB-2



Ⓐ COLUMN BASE SECTION

COLUMN BASE PLAN

▽ DENOTES EXPOSED TO VIEW FACE FINISH

<p>CITY OF PHILADELPHIA DEPARTMENT OF STREETS</p>		<p>COLUMN BASE FOR PEDESTRIAN POLES</p>	
DATE	11/06/12	SHEET	4 OF 4
REVISED	3/01/15		
<p>APPROVED: V.L.F.</p>			
<p>SLO103</p>			