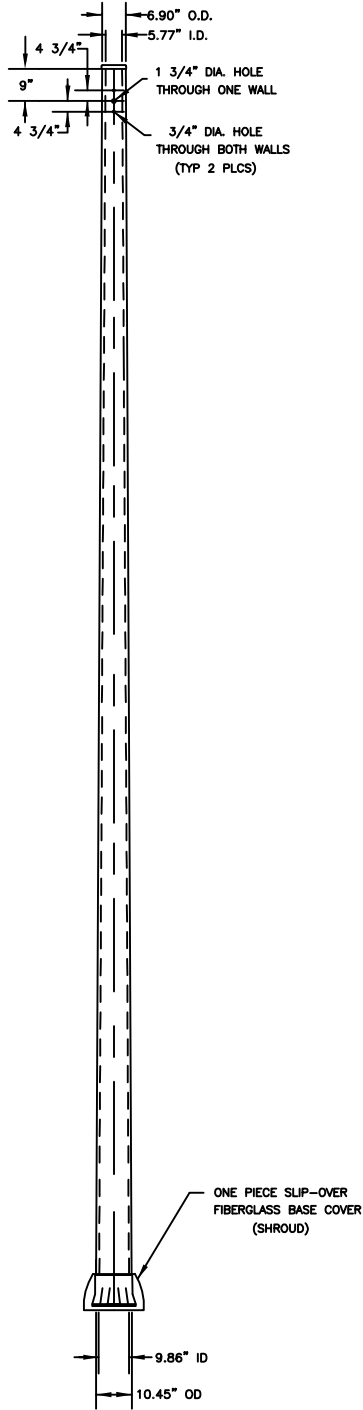
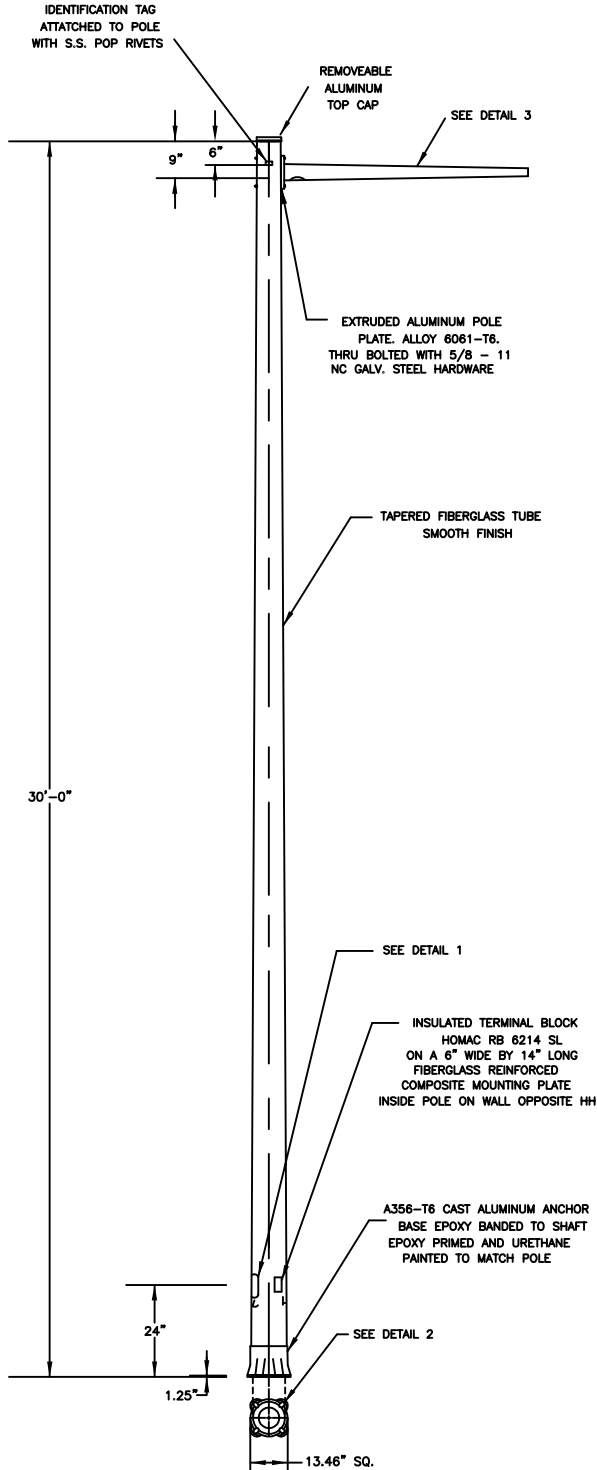


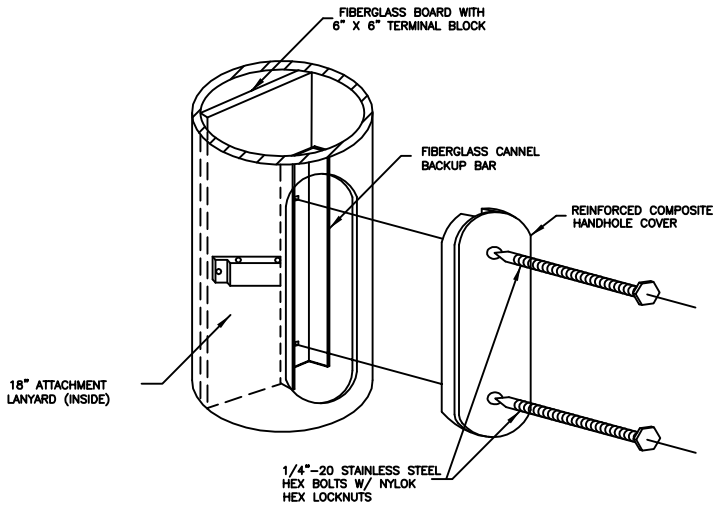
- NOTES:
 1 - POLE AND ARM: FINISH - SMOOTH
 COLOR - DARK BRONZE
 2 - WEIGHT: POLE - 215 LBS.
 ARM - 8 LBS.



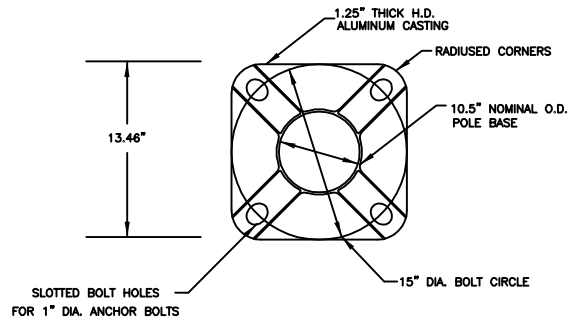
CITY OF PHILADELPHIA
 DEPARTMENT OF STREETS
 STREET LIGHT POLE

DATE	11/10/05	SHEET 1 OF 2
REVISED	3/01/15	
APPROVED: V.L.F.		

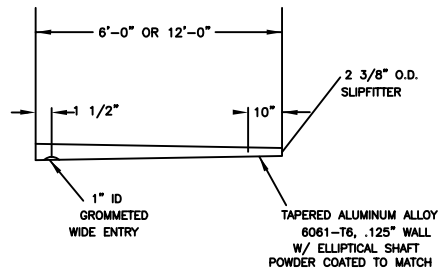
SL0101



DETAIL 1	4" X 12" HANDHOLE
----------	-------------------



DETAIL 2	ANCHOR BASE DETAIL
----------	--------------------



DETAIL 3	BRACKET
----------	---------

CITY OF PHILADELPHIA
DEPARTMENT OF STREETS

STREET LIGHT POLE

DATE	11/10/05	SHEET 2 OF 2
REVISED	3/01/15	
APPROVED: V.L.F.		

SL0101